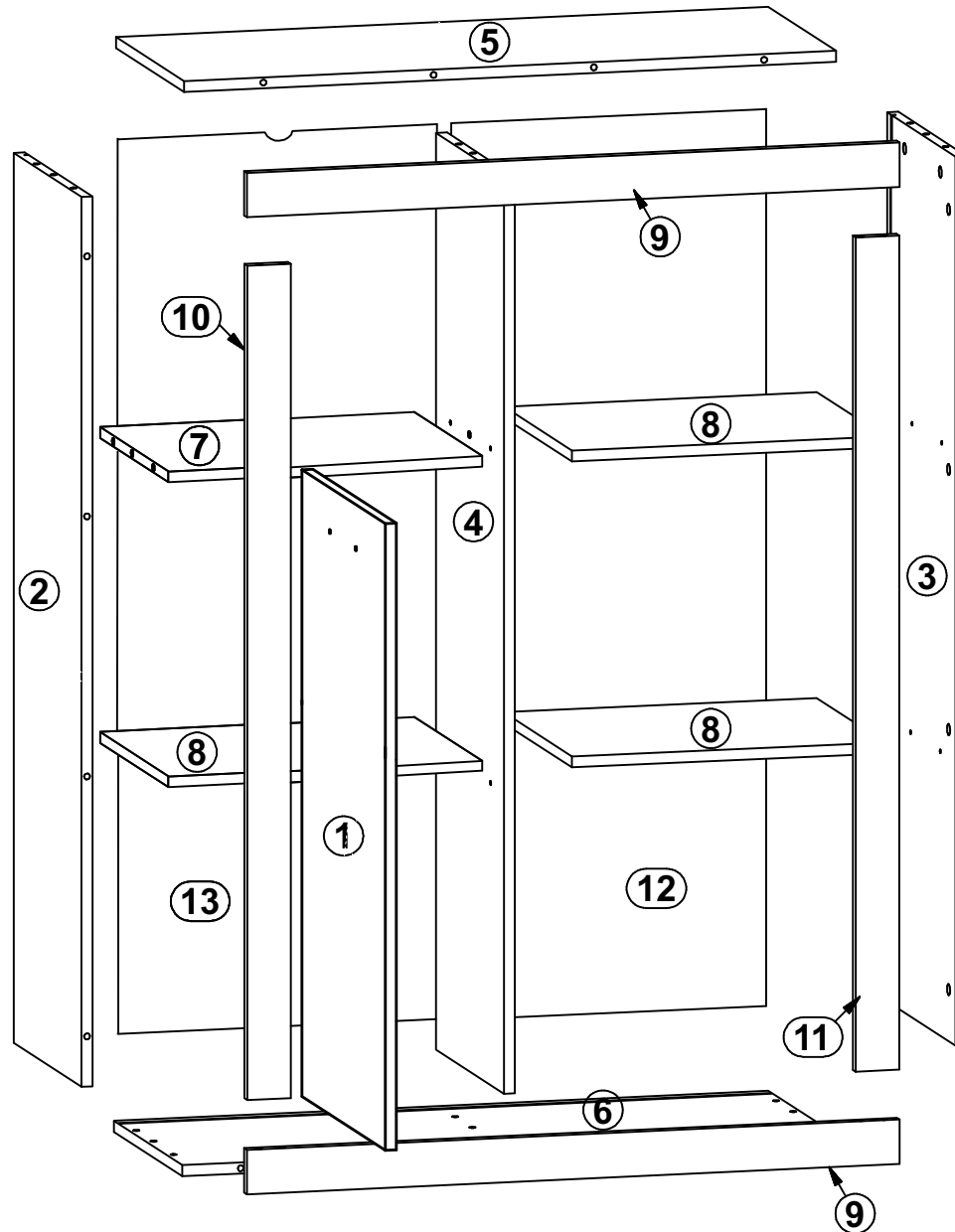
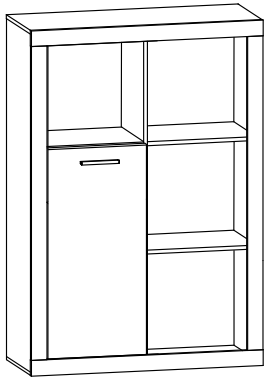
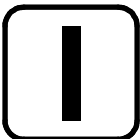


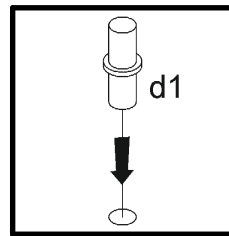
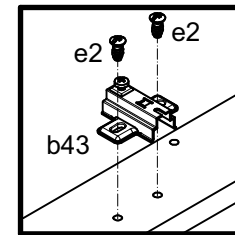
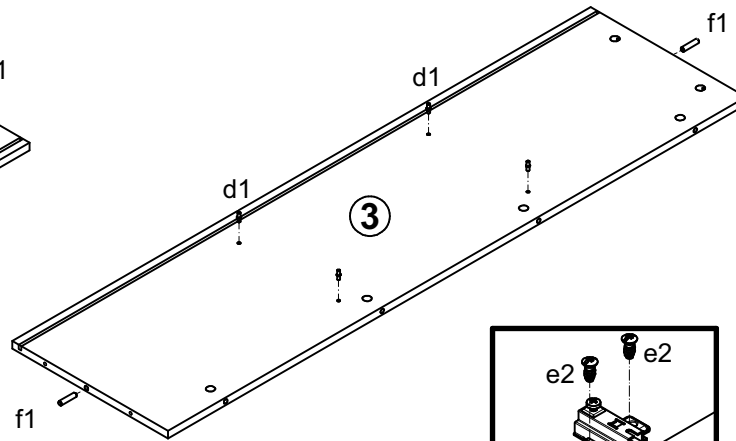
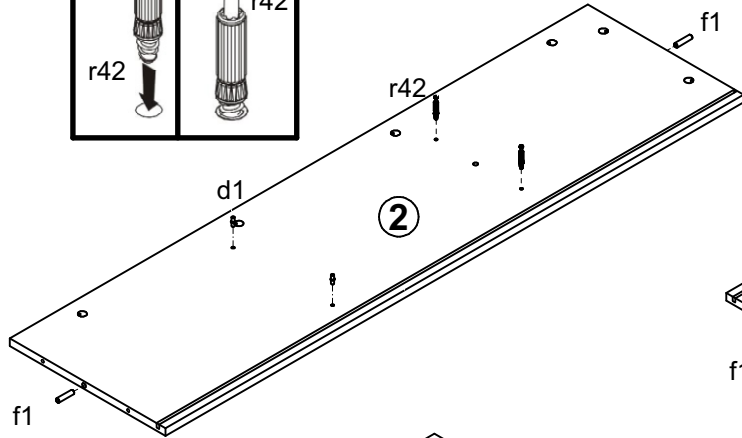
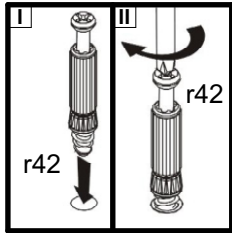
6x  a132	2x  a44	2x  b19	6x  b43	4x  c235	16x  d1	4x  d3	24x  e1	14x  e2	4x  e5	4x  e4	28x  f1	20x  f6
8x  f35	2x  g2	11x  k43	11x  l1	42x  l2	2x  m3	6x  n108	2x  n122/1	2x  o1	6x  p1	6x  p9	4x  p21	2x  p59
16x  p51	6x  p55	71x  r1	71x  r42	4x  s1	20x  s2	1x  z1	2x  n14	8x  p17	4x  p38	2x  n10		



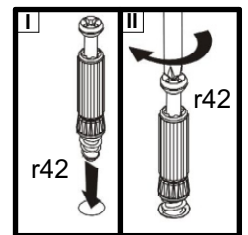
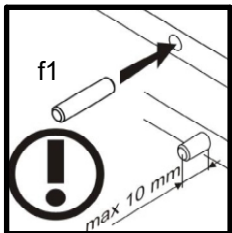
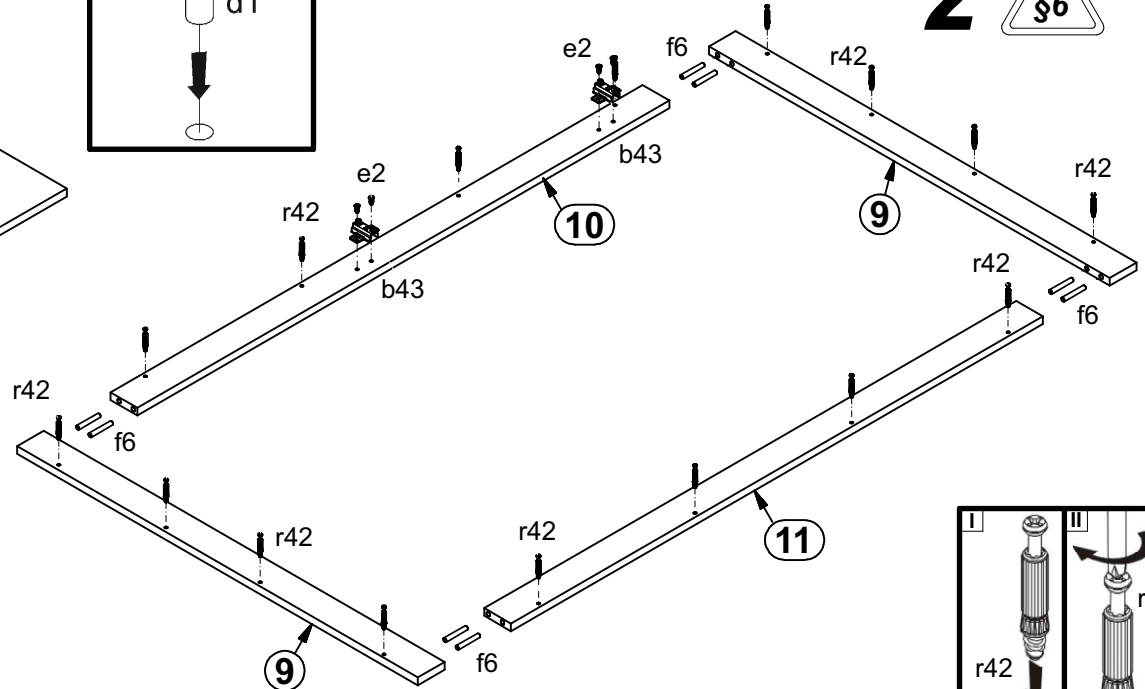
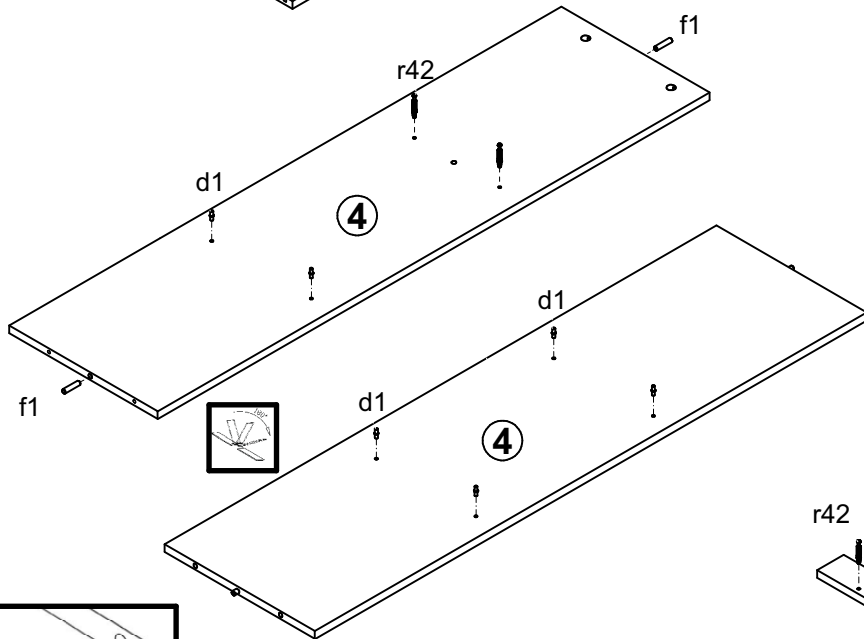
A	B	C (mm)		D
1	N76-001	536	258	3/4
2	N76-101	880	284	3/4
3	N76-102	880	284	3/4
4	N76-107	880	264	3/4
5	N76-201	631	284	3/4
6	N76-202	631	284	3/4
7	N76-301	291	264	3/4
8	N76-302	291	264	3/4
9	N76-501	631	60	3/4
10	N76-502	793	60	3/4
11	N76-503	793	60	3/4
12	N76-901	890	304	3/4
13	N76-902	890	304	3/4



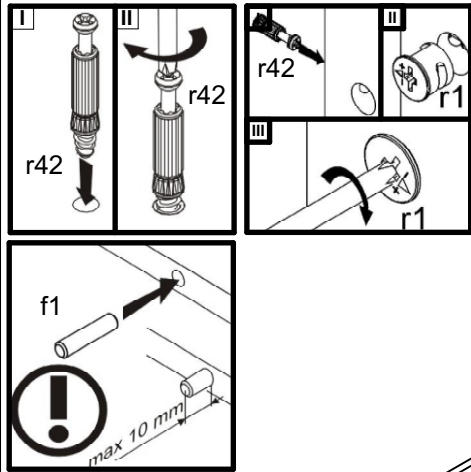
**1** 



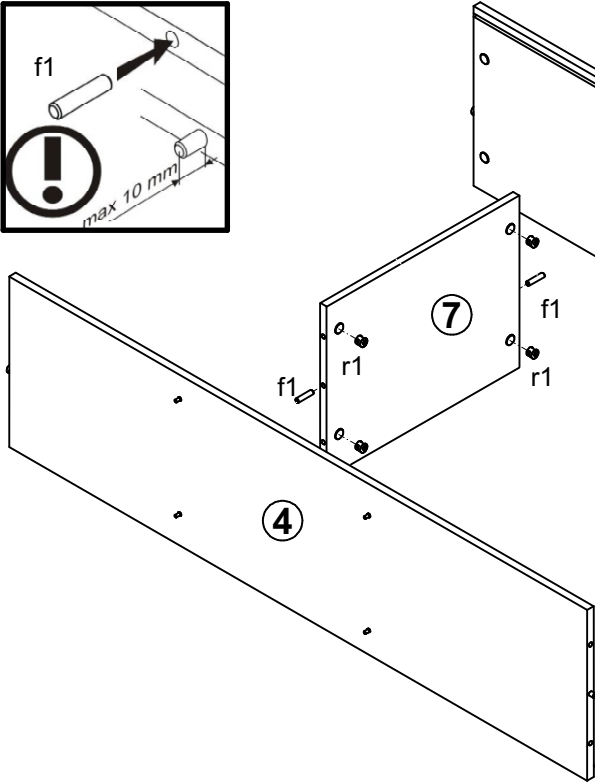
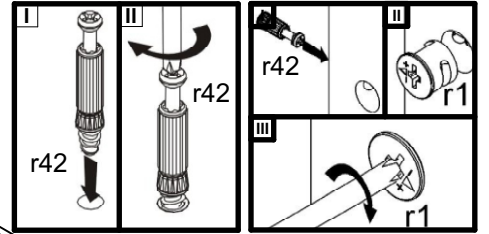
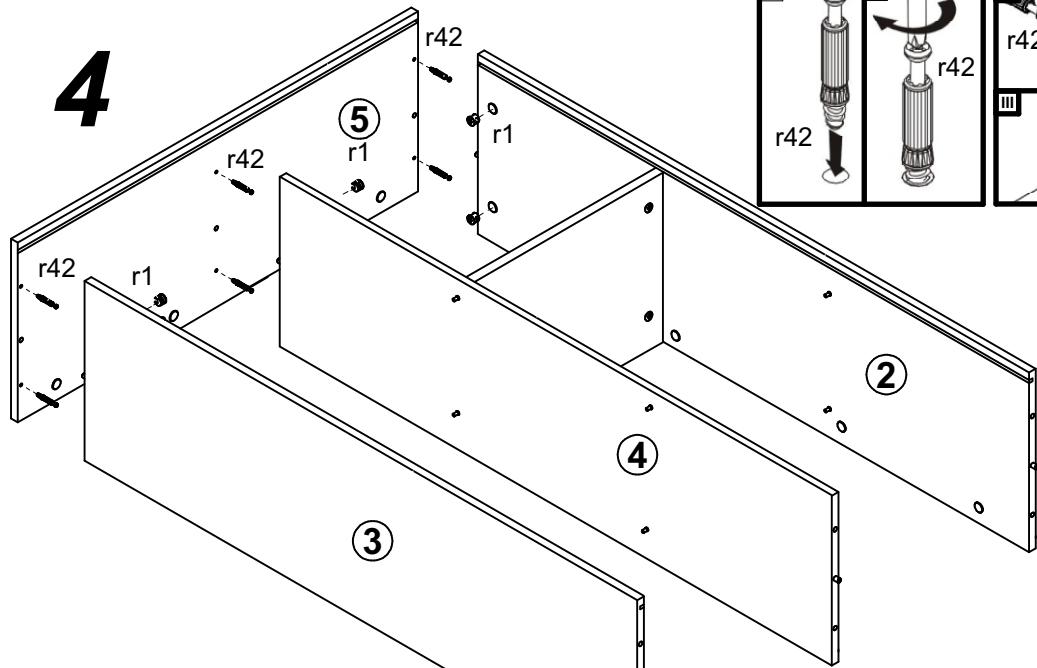
**2** 

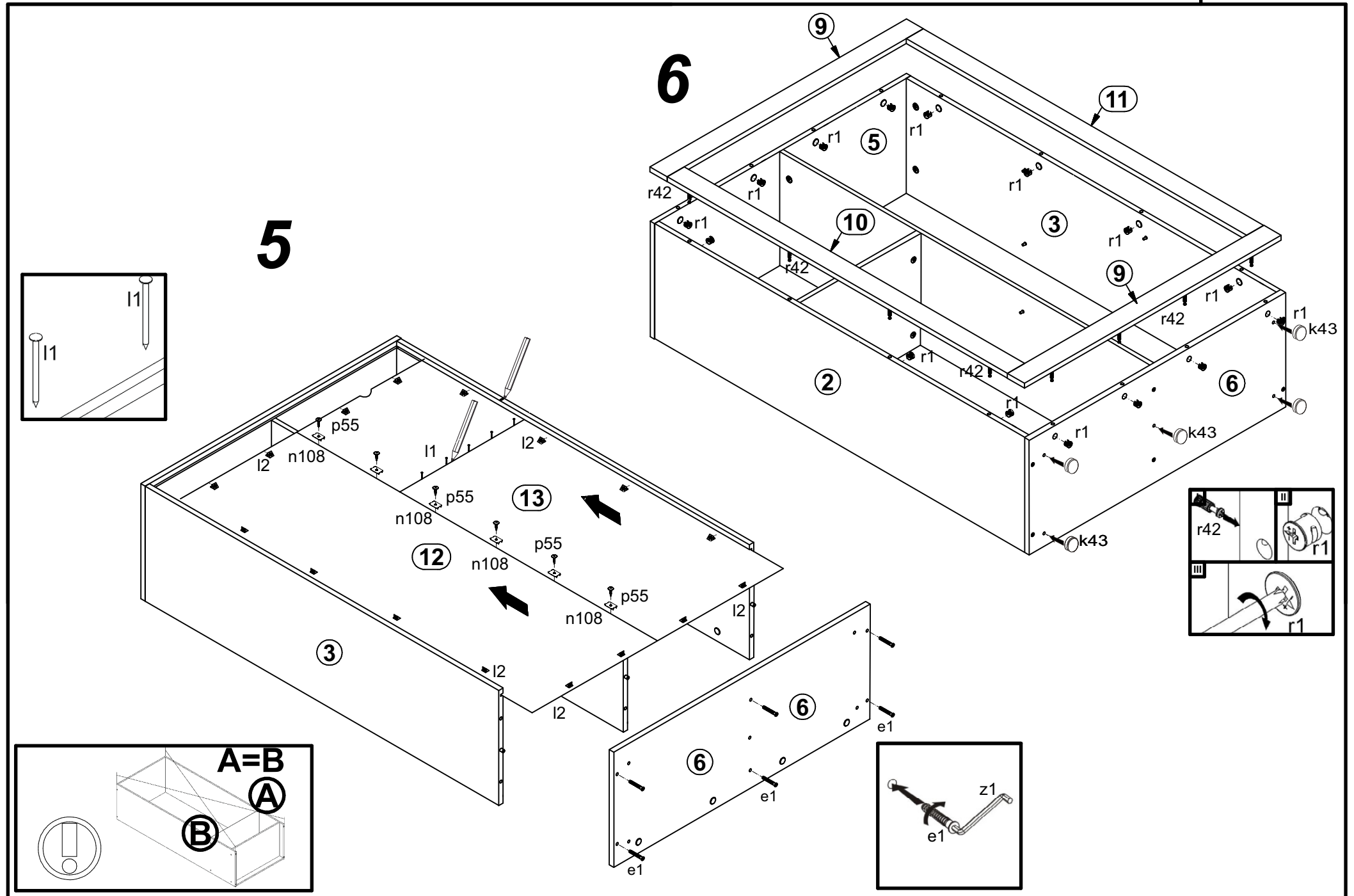


3

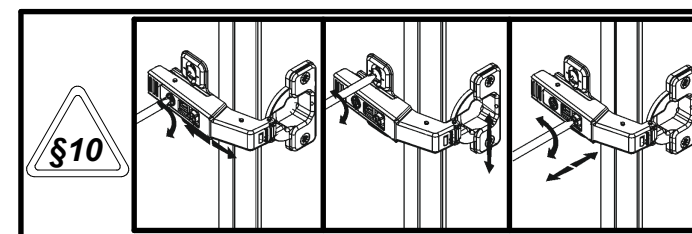
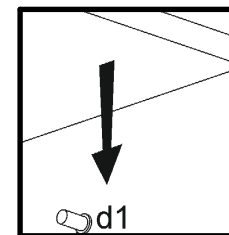
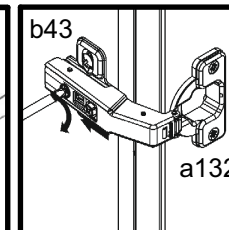
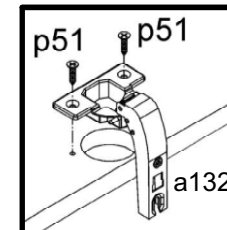
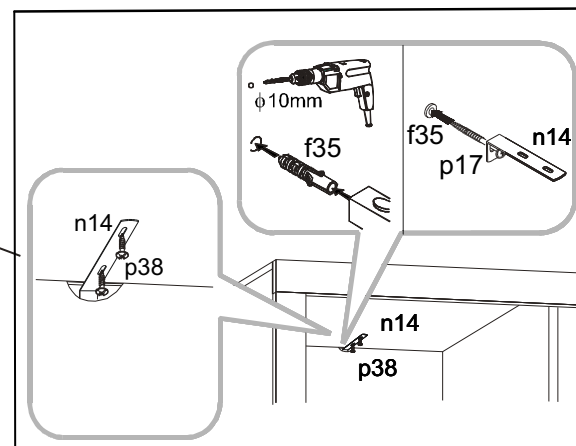
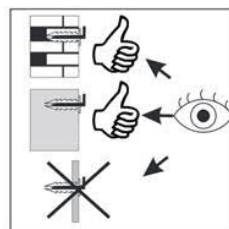
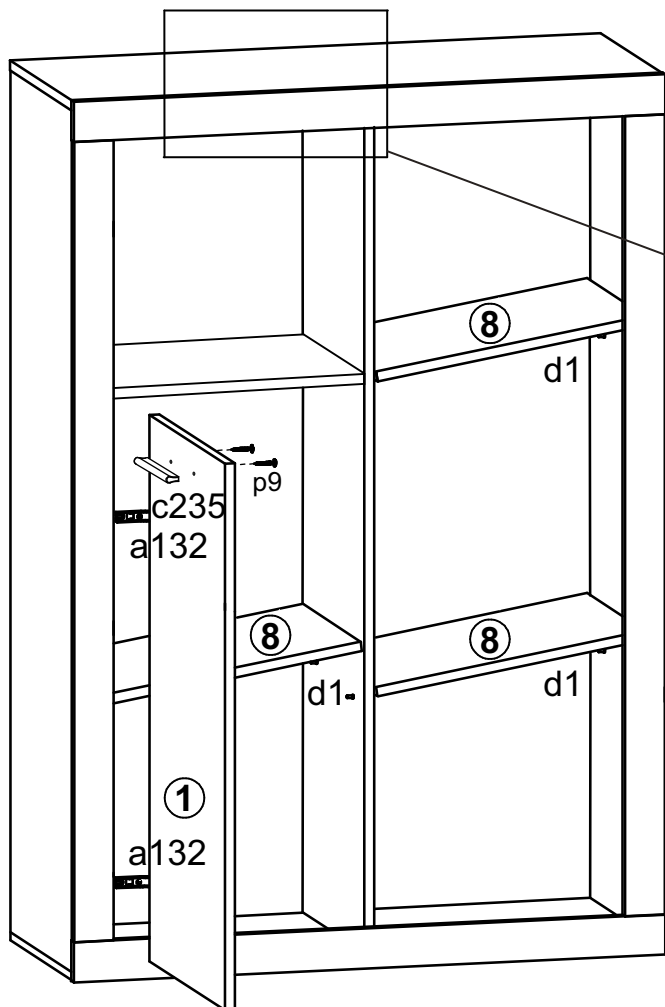


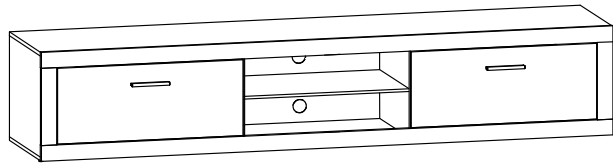
4



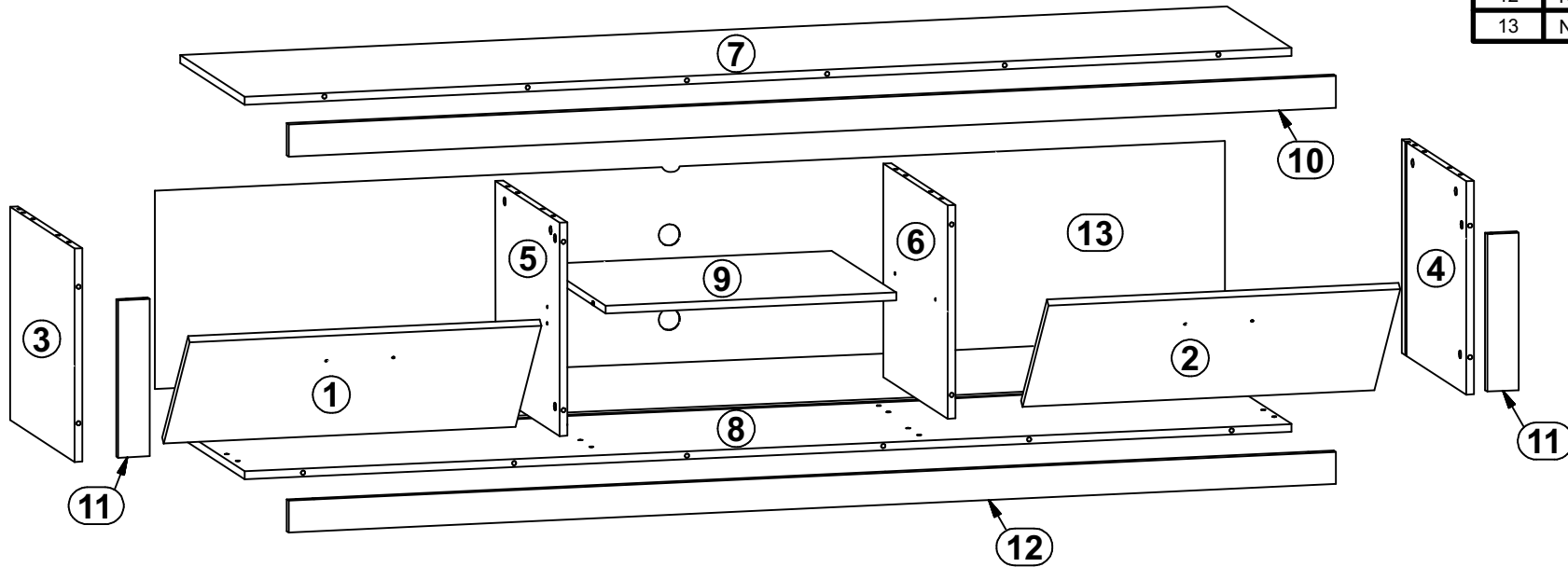


7

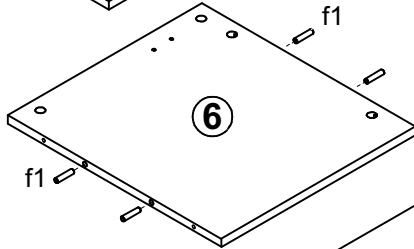
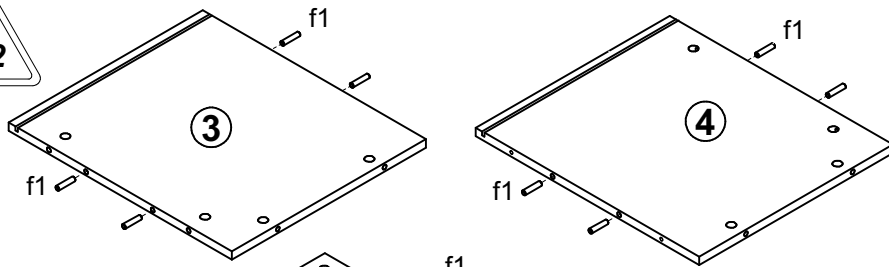




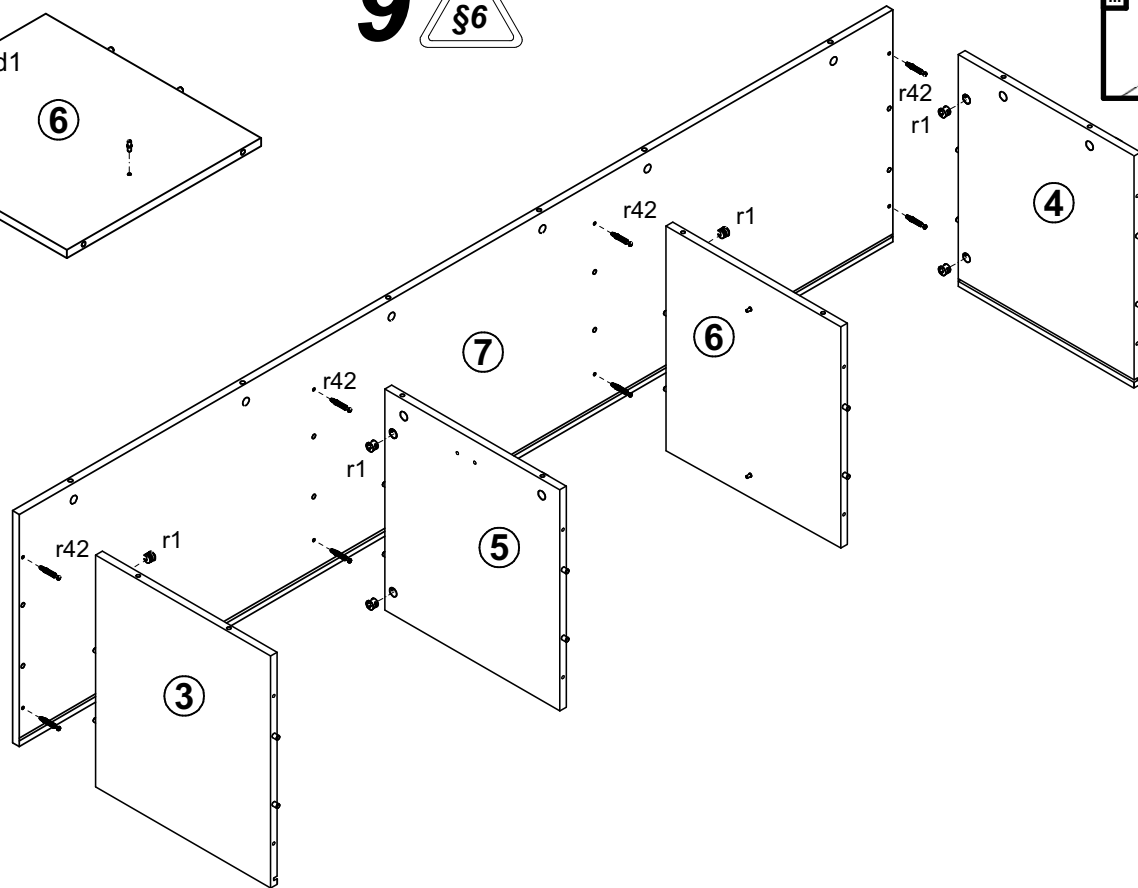
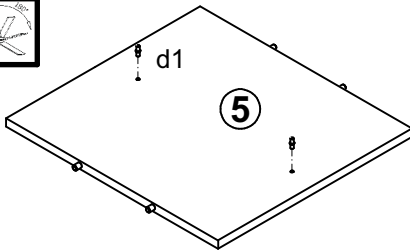
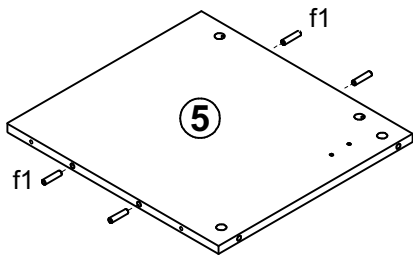
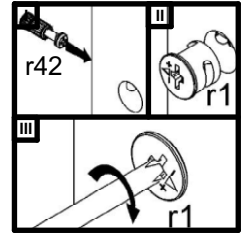
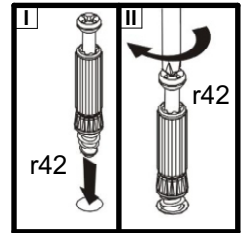
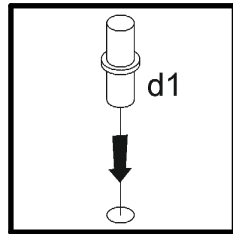
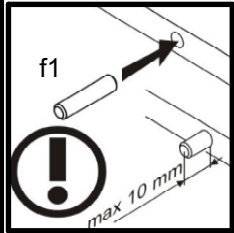
A	B	C (mm)		D
1	N76-004	407	205	1/4
2	N76-005	407	205	1/4
3	N76-107	298	380	2/4
4	N76-108	298	380	2/4
5	N76-109	298	360	2/4
6	N76-110	298	360	2/4
7	N76-204	1400	380	1/4
8	N76-205	1400	380	1/4
9	N76-303	445	360	1/4
10	N76-510	1400	60	1/4
11	N76-512	211	60	1/4
12	N76-511	1400	60	1/4
13	N76-905	1377	308	1/4



8

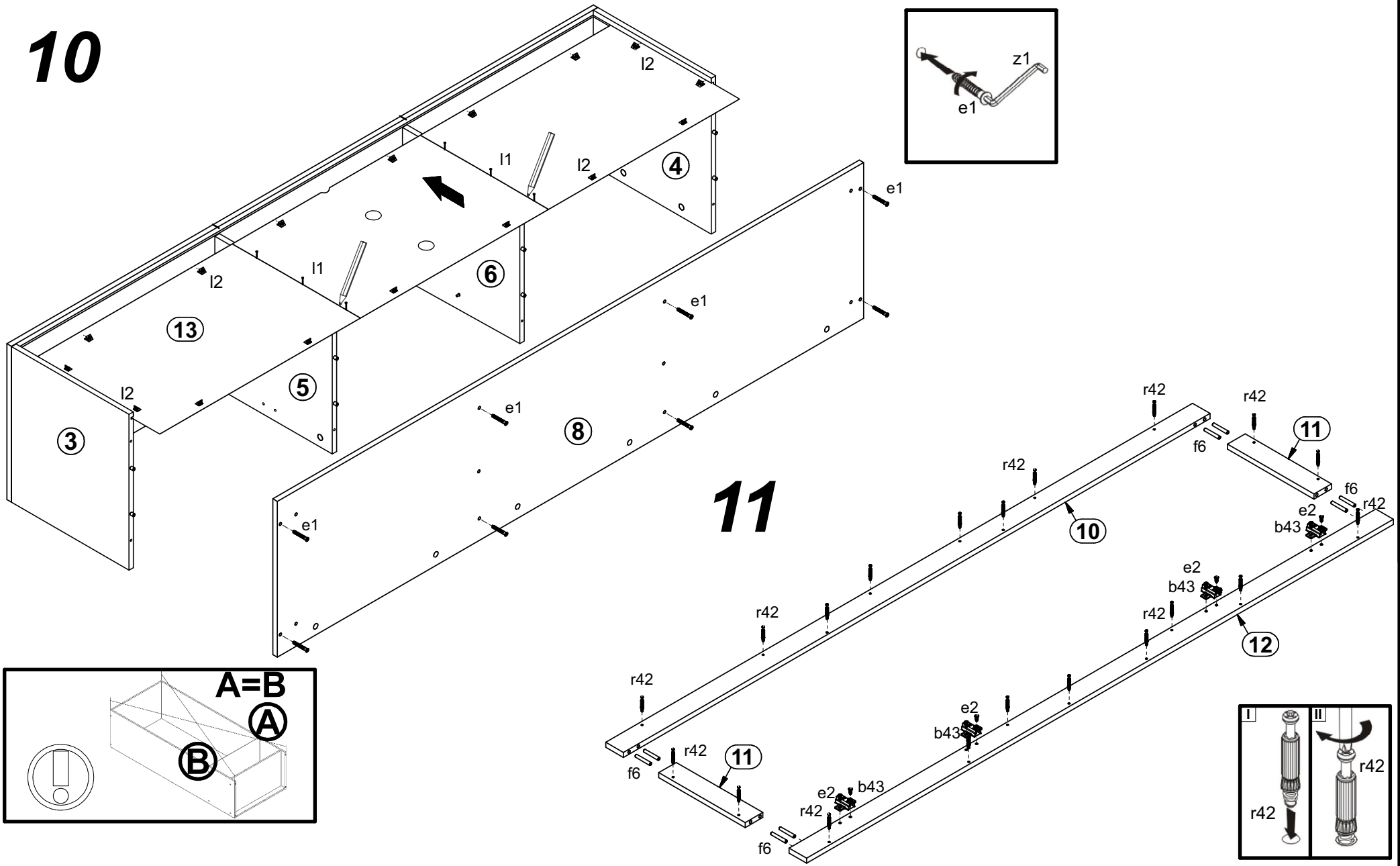


9

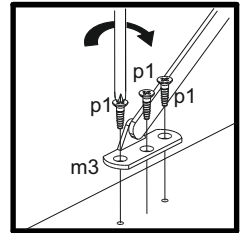
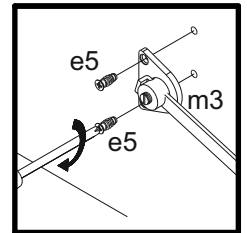
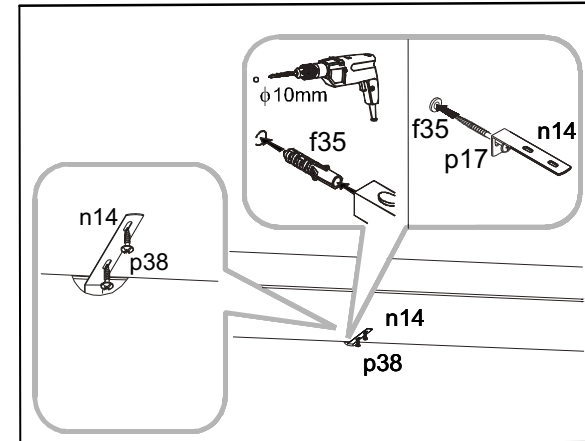
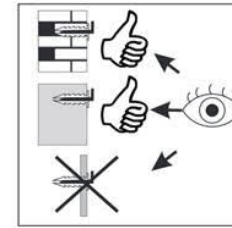
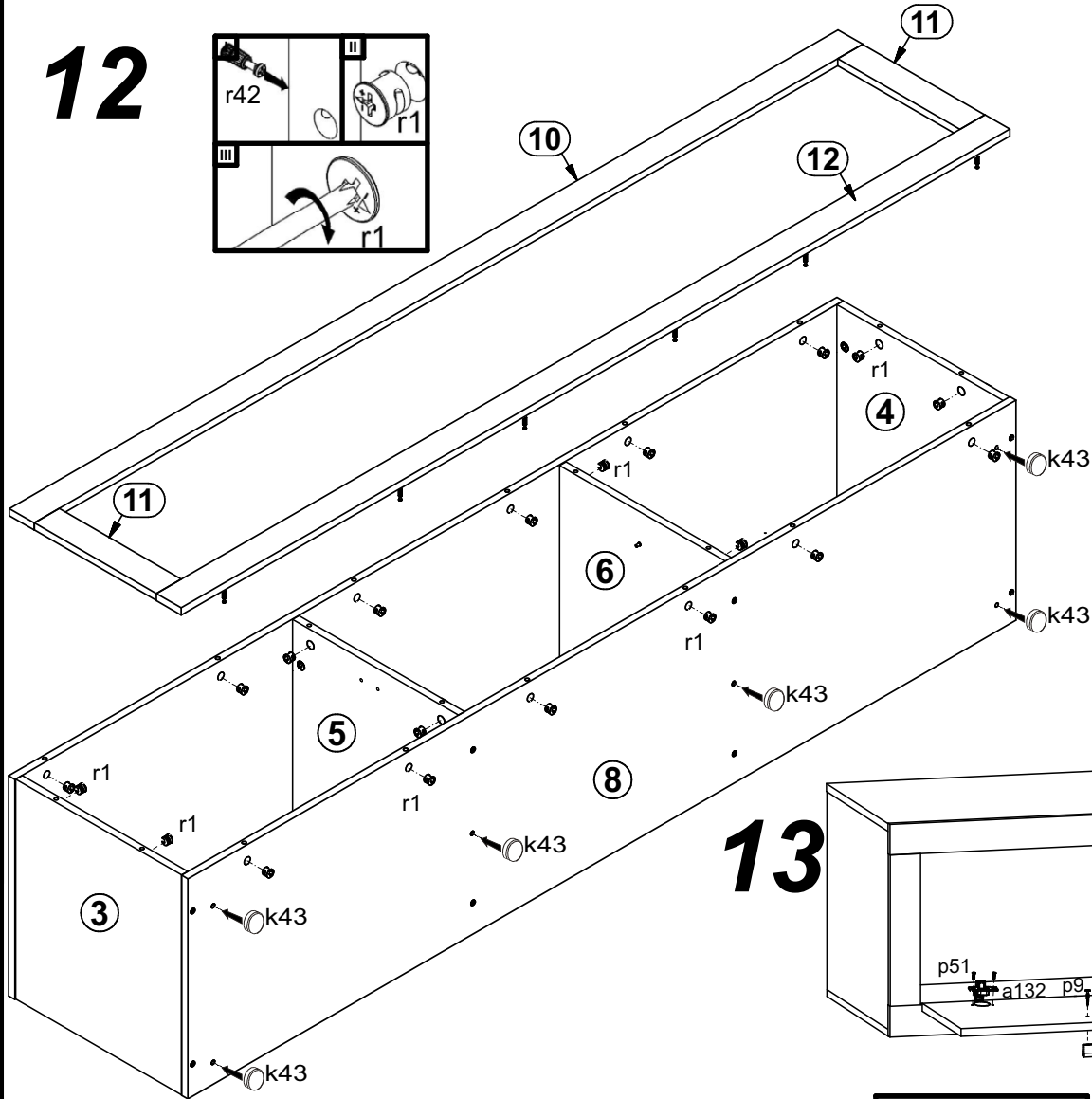
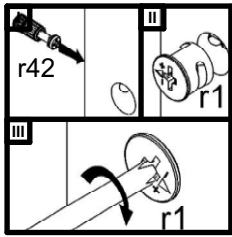




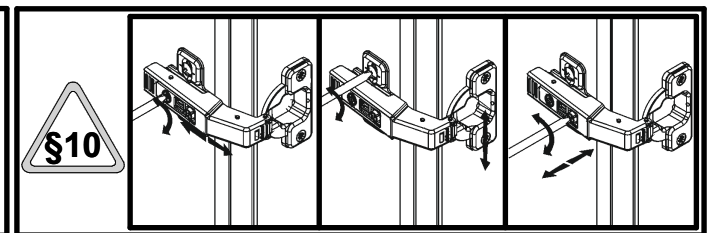
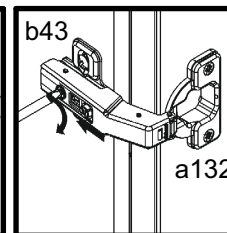
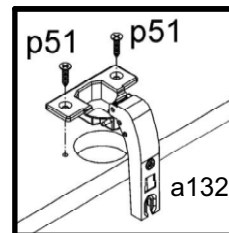
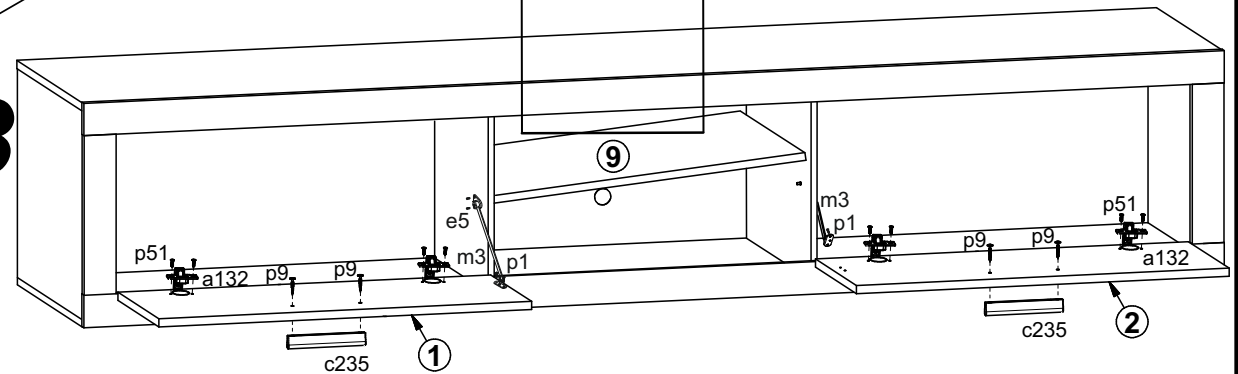
10

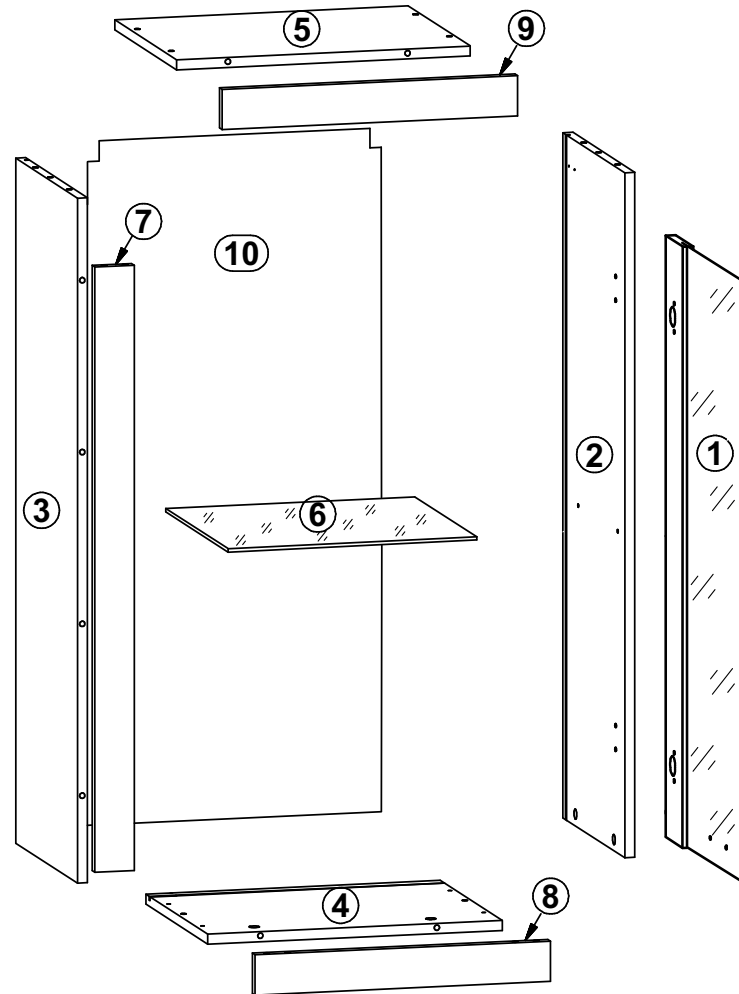
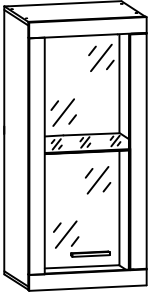


12

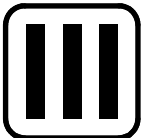


13

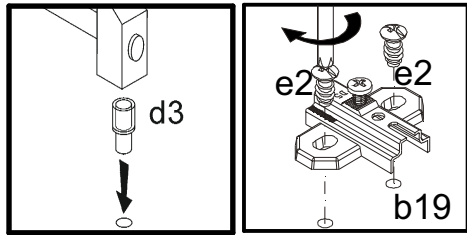
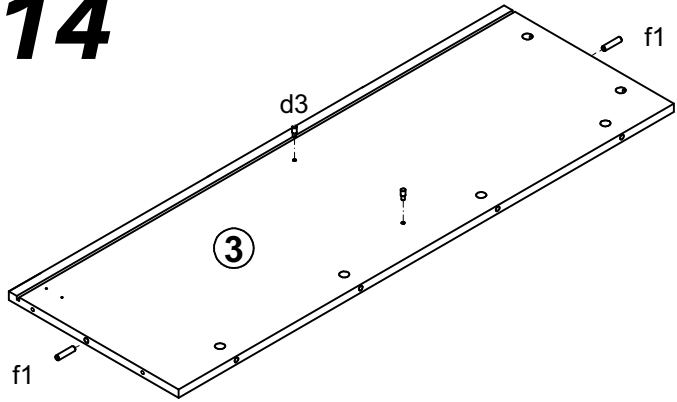




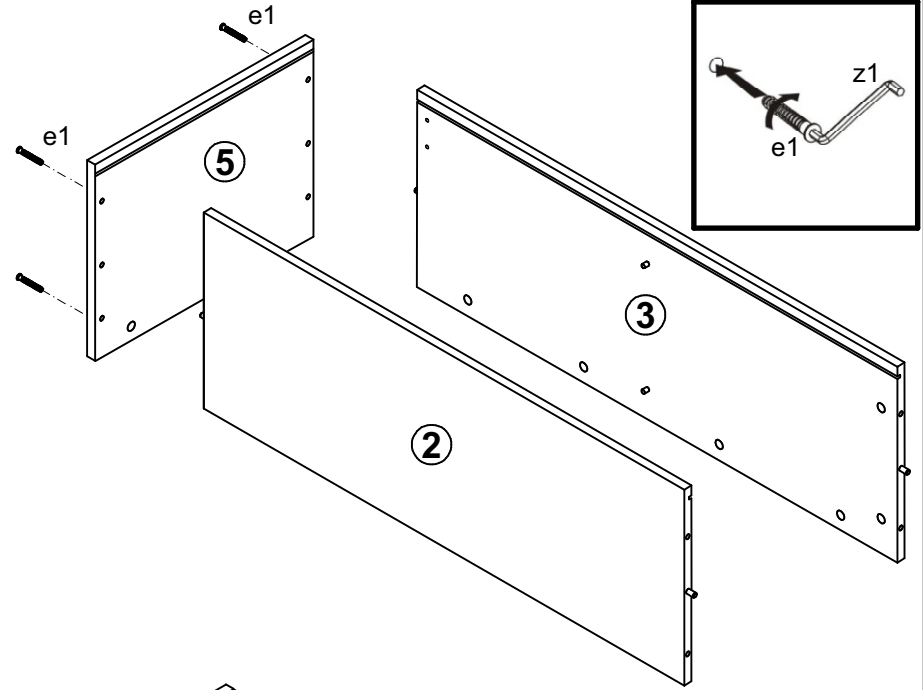
A	B	C (mm)		D
1	N79-002	655	313	4/4
2	N79-102	748	284	4/4
3	N79-103	748	284	4/4
4	N79-201	377	284	4/4
5	N79-203	377	284	4/4
6	N79-502	343	256	4/4
7	N79-503	661	60	4/4
8	N79-504	377	60	4/4
9	N79-505	377	60	4/4
10	N79-902	758	354	4/4



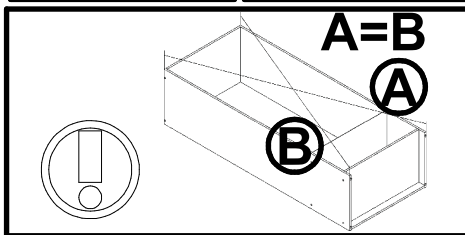
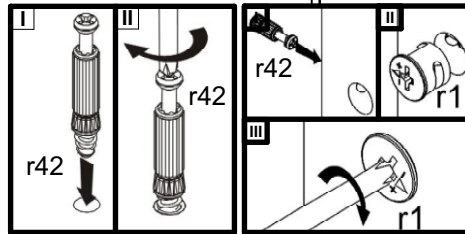
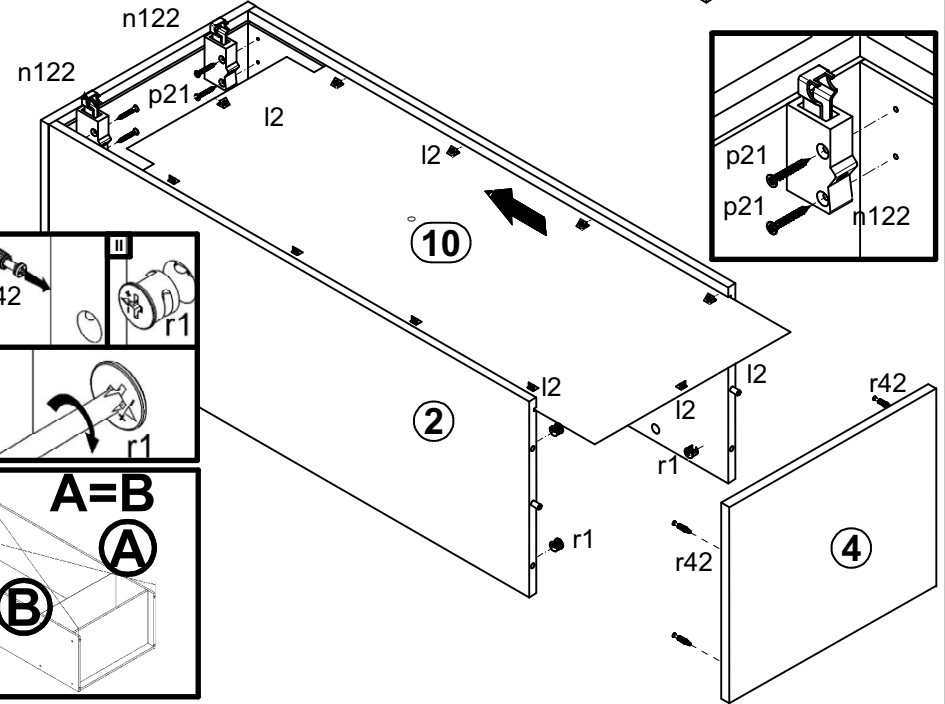
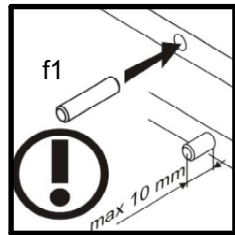
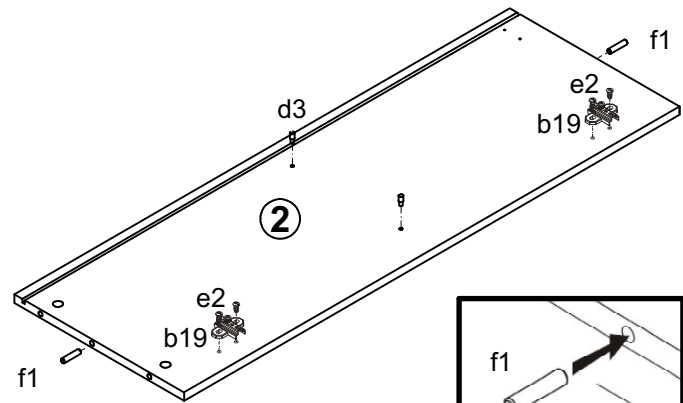
14



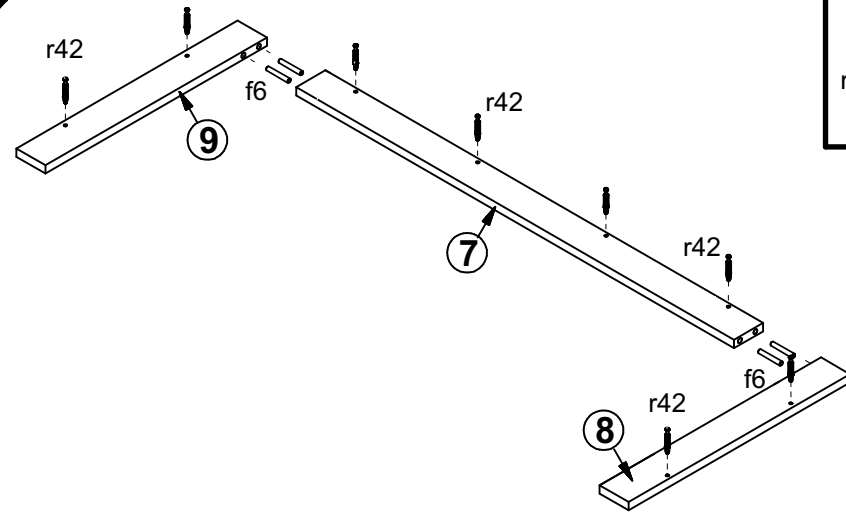
15



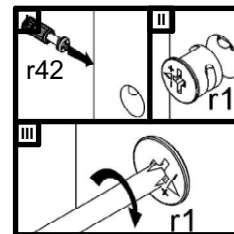
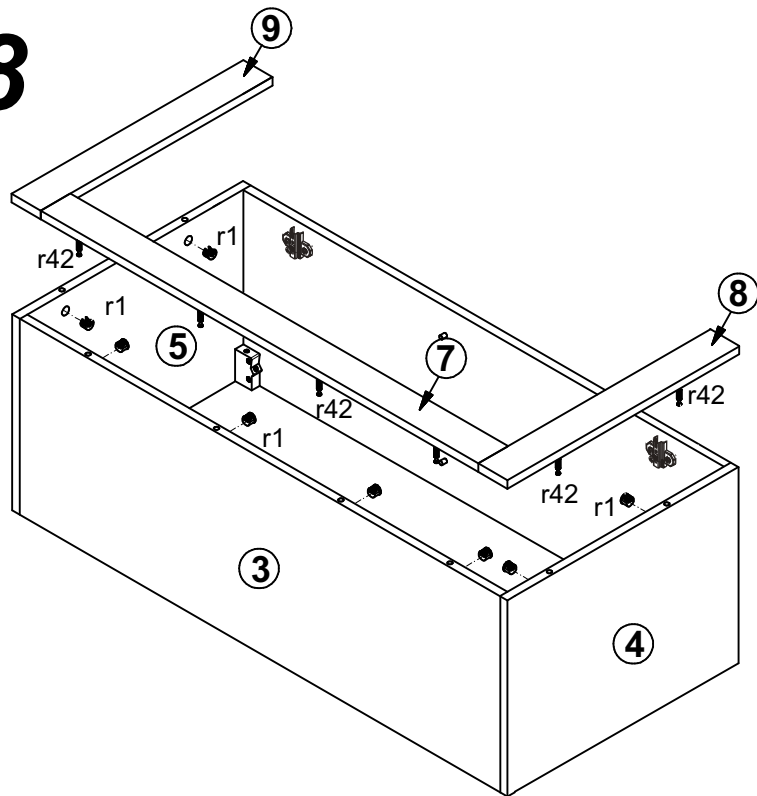
16



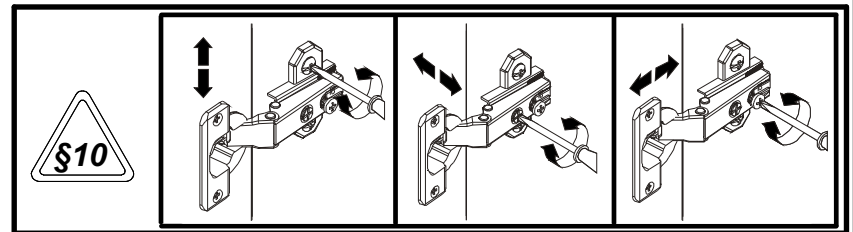
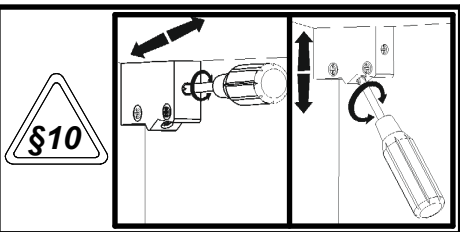
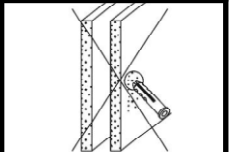
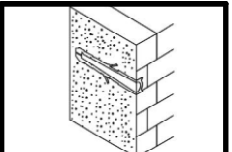
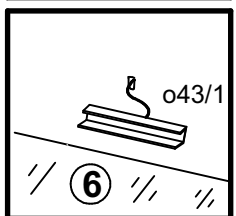
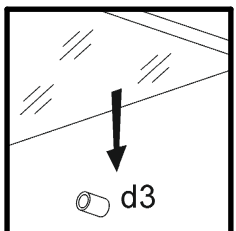
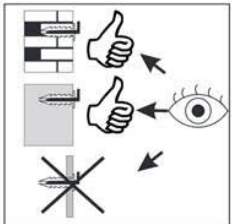
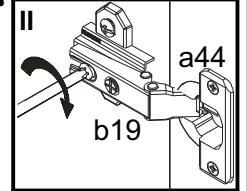
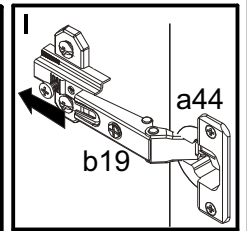
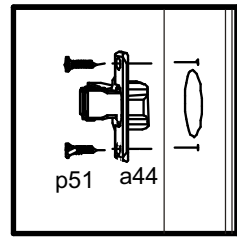
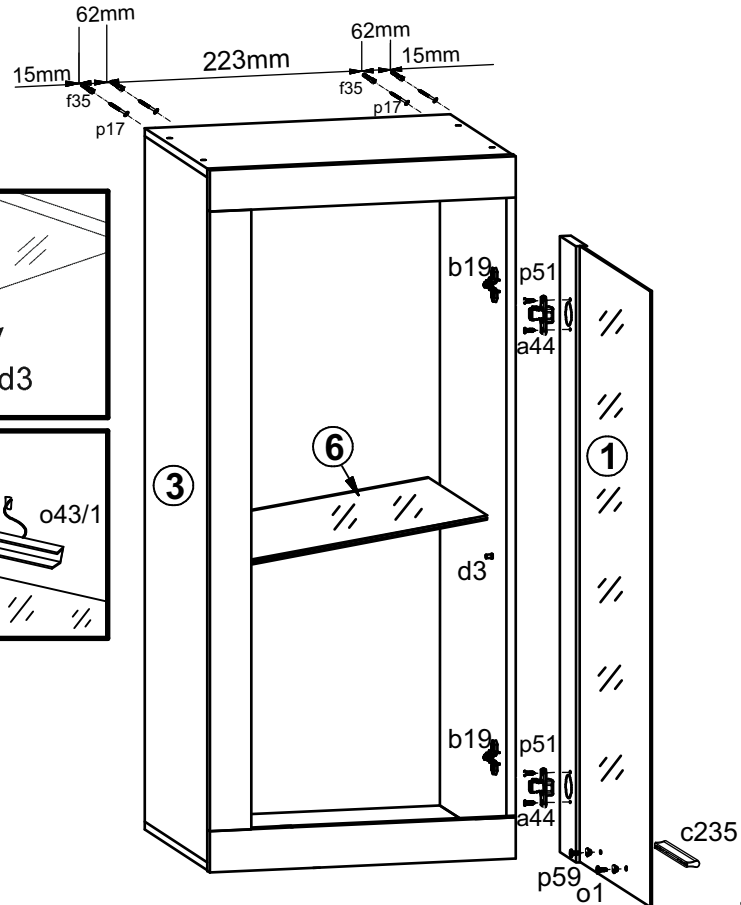
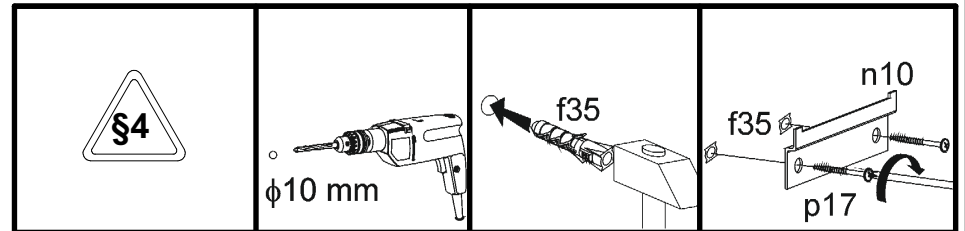
17

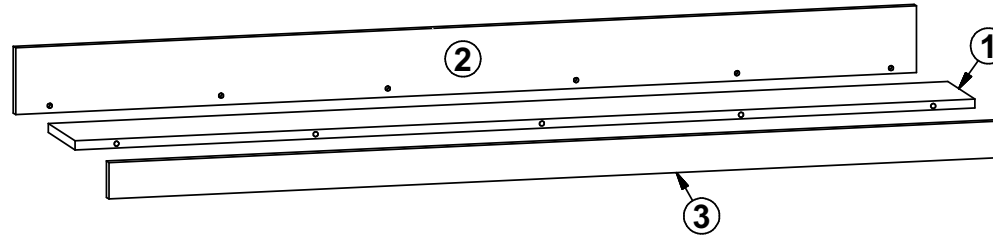


18



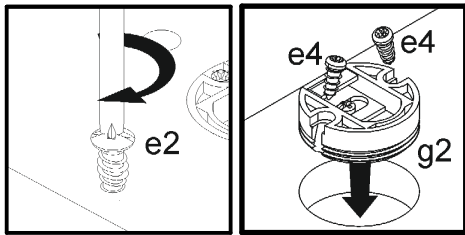
# 19



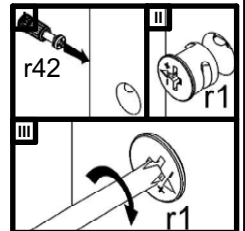
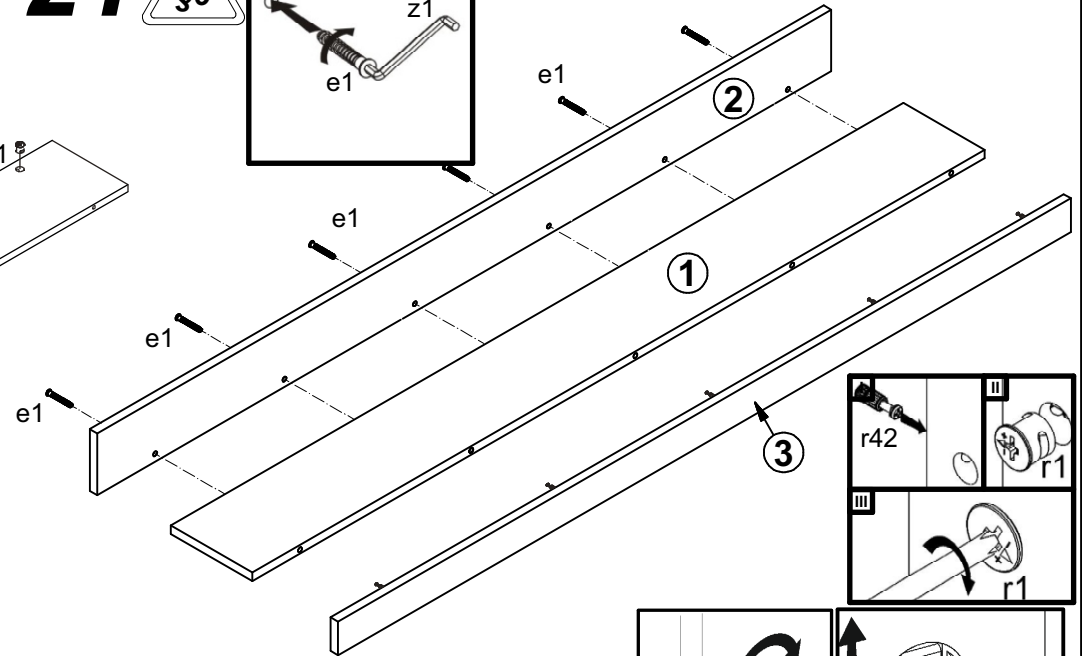
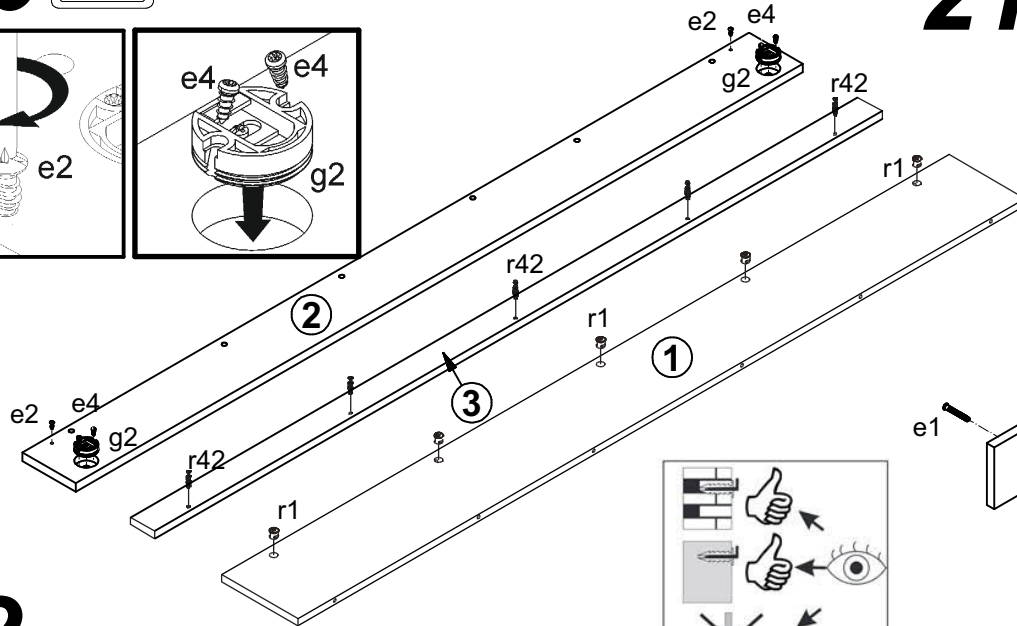
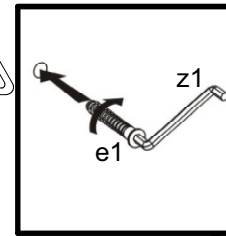


A	B	C (mm)		D
1	N76-304	1000	138	2/4
2	N76-513	1000	108	2/4
3	N76-514	1000	60	2/4

**20** §2



**21** §6



**22**

